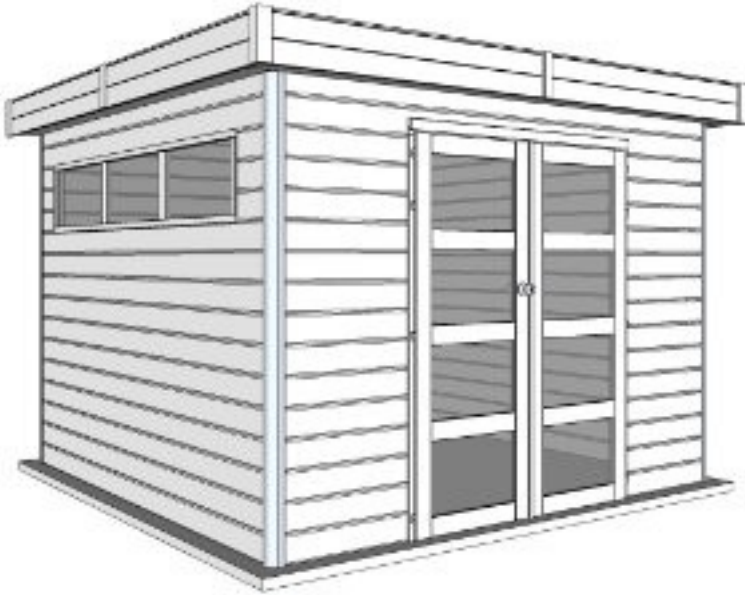


GENERAL ASSEMBLY INSTRUCTIONS FOR ALL MODERN GARDEN SHEDS WITH ALUMINIUM CORNER PROFILES AND STEEL ROOF

This brochure has been compiled for all our garden sheds with aluminium corner profiles and steel roof.
The quantities and designs shown in the drawings may differ from the garden shed you have purchased.

DDM04



WOODLANDS

QUALITY CABINS



GENERAL ASSEMBLY INSTRUCTIONS FOR MODERN GARDEN SHED

Congratulations on the purchase of your garden shed.

If you read the assembly instructions carefully, you will enjoy your purchase for many years to come.

Tips and advice

Before you begin assembly, we would like to give you some important information that deserves your attention.

A You have purchased a garden shed made from an untreated natural product. This type of wood still needs to be treated to ensure a long lifespan. It is best to seek advice from a specialist when choosing a treatment product and for the maintenance of your garden shed. Use only products that penetrate the wood and protect it against moisture, wind and weather, as well as against insects and fungi. Do not use products that are so viscous that they prevent a good fit between the tongue and groove and at the corner joints. You only have the opportunity to treat the tongue and groove **before** assembly. It is very important **to treat** all parts **on all sides**. You must therefore also treat **the inside** of the garden shed.

B It is advisable to install a waterproof concrete base that is 10 cm larger than the outer dimensions of the garden shed. It is of the utmost importance that your garden shed is level and remains so. Bear in mind that if your structure does not remain level after installation, this may result in gaps and deformations in the garden shed, amongst other issues. Make sure that ground moisture and other moisture cannot penetrate the wood by ensuring adequate ventilation of the garden shed and treating **the interior** against moisture. The bottom planks of your garden shed deserve extra attention, as they will be most exposed to water. Therefore, treat them with extra care. Seal the joint between the garden shed and its base with silicone (not included). Anchor your garden shed to its base (e.g. with L-brackets, not included) to protect it against stormy weather.

C "Wood lives" – a saying that also applies to your purchase. In practical terms, this means that the height of the garden shed will vary depending on the humidity. If you install vertical or horizontal structures (e.g. shelving, electrical wiring, storm braces, etc.), you must ensure that you do not impede this natural movement of the wood. If you connect the wood vertically in certain places, gaps will appear between your planks during periods of low humidity, often resulting in deformation of the garden shed. Do not be alarmed if you notice a gap above the door after assembling your garden shed. These gaps are there precisely to accommodate shrinkage and expansion. We supply matching cover strips to conceal this gap. (See point 19 below).

D Remove the parts of your garden shed from their packaging two days before assembly. This allows the wood to acclimatise to the humidity. Place the planks slightly apart, sheltered from rain and sun. Now carry out a full check using the enclosed parts list. Complaints regarding materials will not be accepted if the parts have been painted. Complaints must reach us no later than 8 days after delivery.

E Wood is a natural product. This means that slight variations may occur. What are **acceptable** variations?

- Knots
- Fallen knots no larger than a thumb
- Fallen knots or slight damage to the edges (tongue and groove) provided that coverage is ensured during assembly
- Discolouration in the wood
- Straight cracks that do not split the plank, splitting cracks no longer than 12 cm
- Resin pockets of up to 5 cm
- Wood that is slightly bowed, if assembly remains possible (the pressure from the roof will usually keep the plank straight)

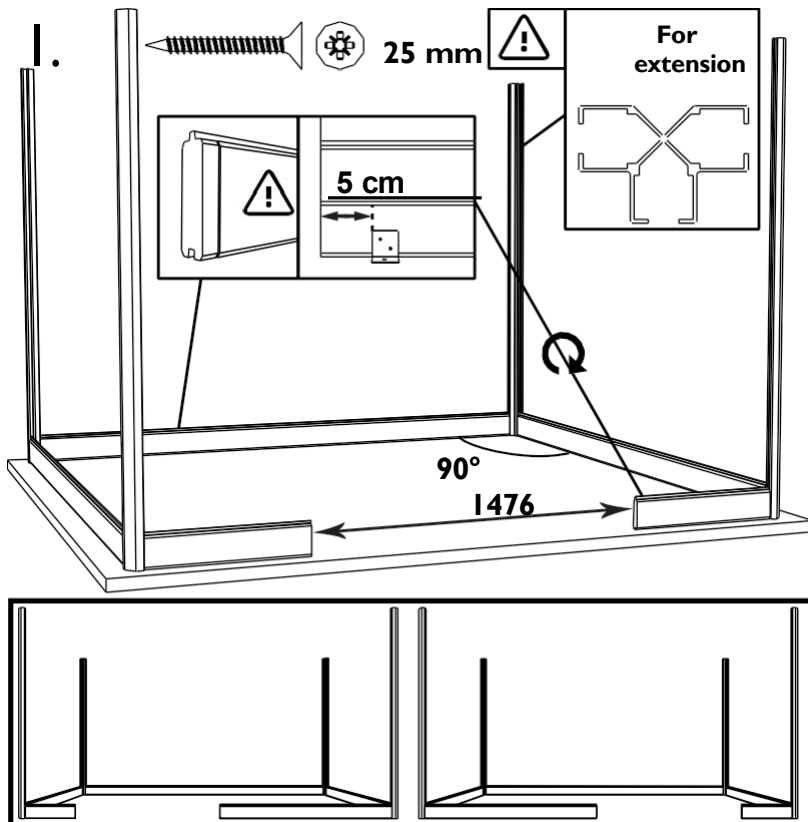
F When assembling the walls, do not use nails or screws. The weight of the roof and the storm protection will ensure that your garden shed remains standing. To prevent splitting, we recommend that you pre-drill with a drill bit whose diameter is smaller than that of the screw.

G Has a part been damaged during assembly, or are you having trouble figuring it out? Our after-sales service is at your disposal:

- during office hours by telephone: +32 (0)52 21 95 71
- by fax: +32 (0)52 22 09 03 or
- by email info@gardenas.be

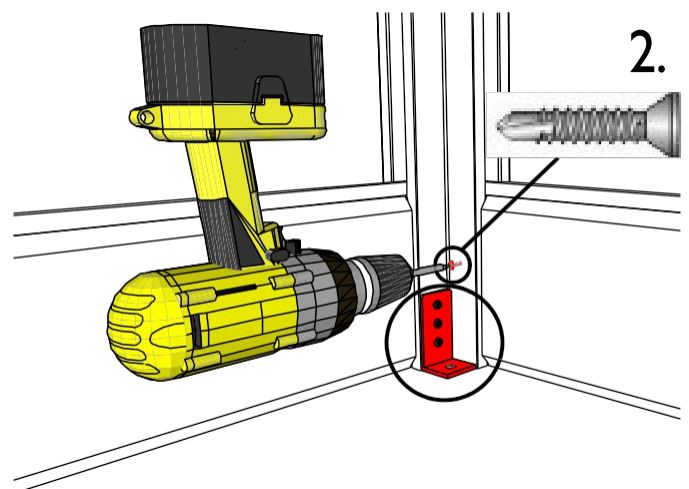
Once you have checked the parts against the accompanying parts list **and** all parts are treated, you can start assembling. What do you need? A saw, a piece of auxiliary wood, a screwdriver (preferably battery-powered or electric), 2 stepladders, a rubber mallet, a drill, a set of spanners and silicone. At least two adults are required for the assembly. Keep children away during assembly.

Warning! All metal parts may have sharp edges. Always wear suitable gloves when handling and assembling. The aluminium corner profiles may have irregularities resulting from clamping during anodisation. This is normal.

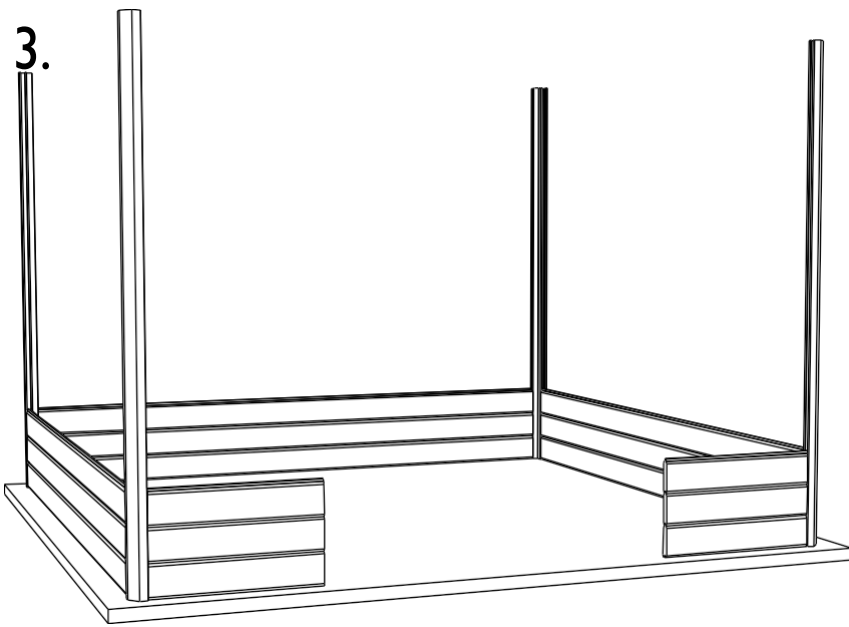


Place the first planks into the profiles. **Attention!** For models with an extension, use the T-profile in the rear corner along the side where the extension will be fitted. The tongue of the plank should be at the top, the groove at the bottom. At the front, start with two L1 planks; if the door opening is not centred, you can choose whether to place it on the left or right side. Gently slide the planks between the profiles, applying equal pressure on both sides. If you force them, there is a risk that the planks will crack at the notches. **Attention!** Also check that everything is square. To keep your garden shed properly aligned, you must anchor the front bottom plank to the ground using an L-bracket, 5 cm from the door opening on both the left and right sides and on the inside (plugs not included).

Make sure the planks rest firmly on the ground. Use a rubber mallet (or a standard hammer with a wooden block) to ensure the planks fit together neatly. Never strike the tongue of the plank directly with a standard hammer! Some plank may be slightly tight when sliding them into place. This is normal; after all, wood is a natural product. Tip: apply a little Teflon spray to the profiles to help the planks slide more easily into them. Fit L angle bracket and L self-drilling screw (see drawing) at the bottom of each corner, securing the profile to the plank.



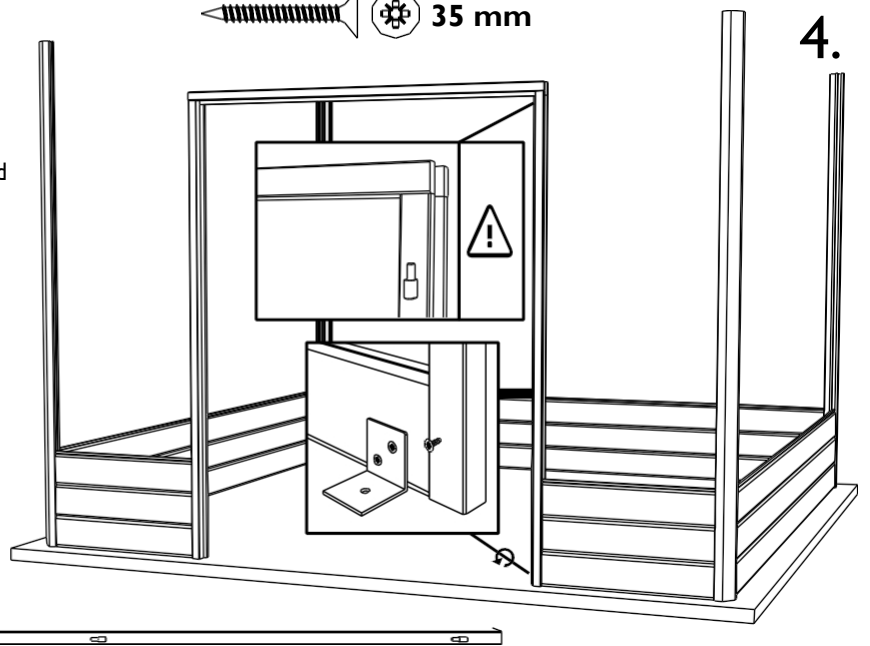
3.



Continue building as shown in the detailed drawing until you have reached a height of three planks. To ensure the structure is square, you must build layer by layer. During assembly, walk round the garden shed, lower one plank into the profiles, then move on to the next wall, and so on.

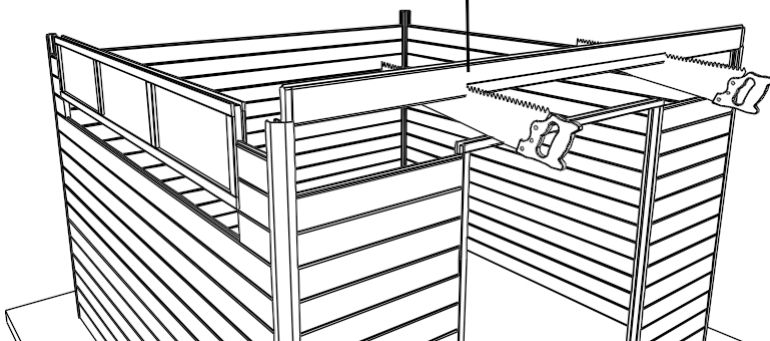
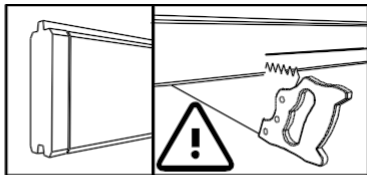
Screw the hinge pin (male part of the hinges) into the pre-drilled vertical jambs. Lower the door frame (3 parts still to be assembled) into the opening. Make sure the door opens outwards. **Secure your frame to the garden shed only at the bottom using a screw; at the top, screw the horizontal jamb to the vertical jamb, never to the garden shed itself** (see tips and advice 'wood lives'). It is best to finish the door once the garden shed is fully assembled.

 35 mm



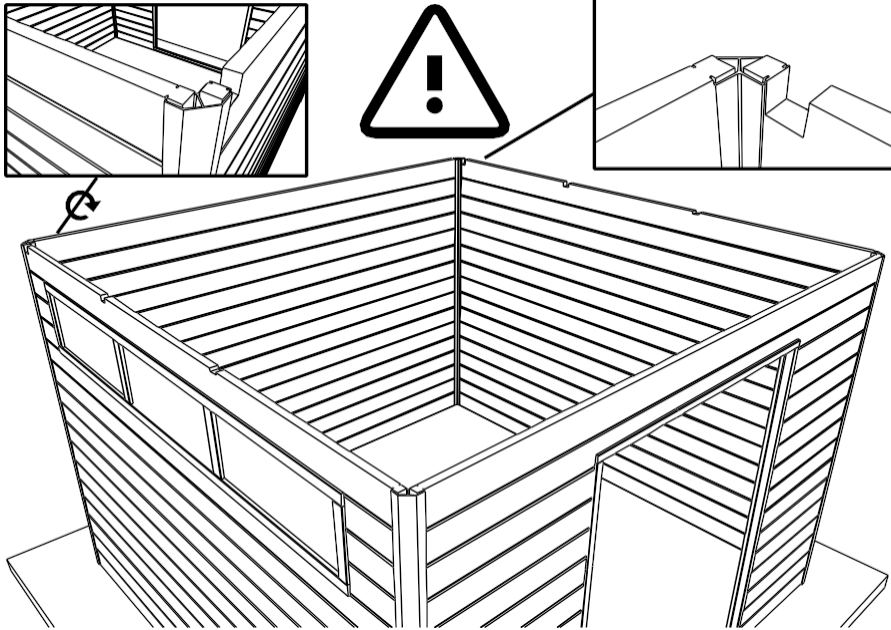
4.

5.



Continue building until you reach the bottom of the window(s). Position the parts on the left and right of the window. You can choose whether to place the window in the left or right wall. Lower the window into the opening. Continue building until you reach the top of the door frame. For models with a window next to the door, fit this now. Place plank L6 above the door frame. First, cut out to the slot. **Caution!** Cut from the groove (bottom of the plank) to the slot!!

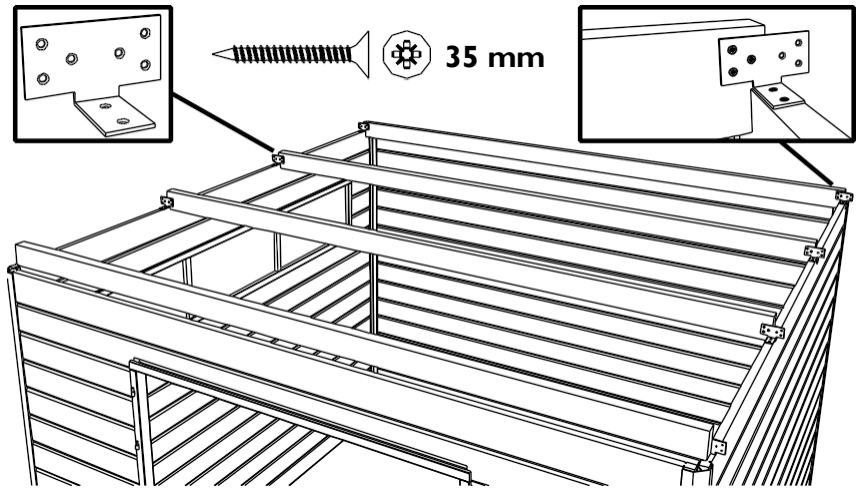
6.



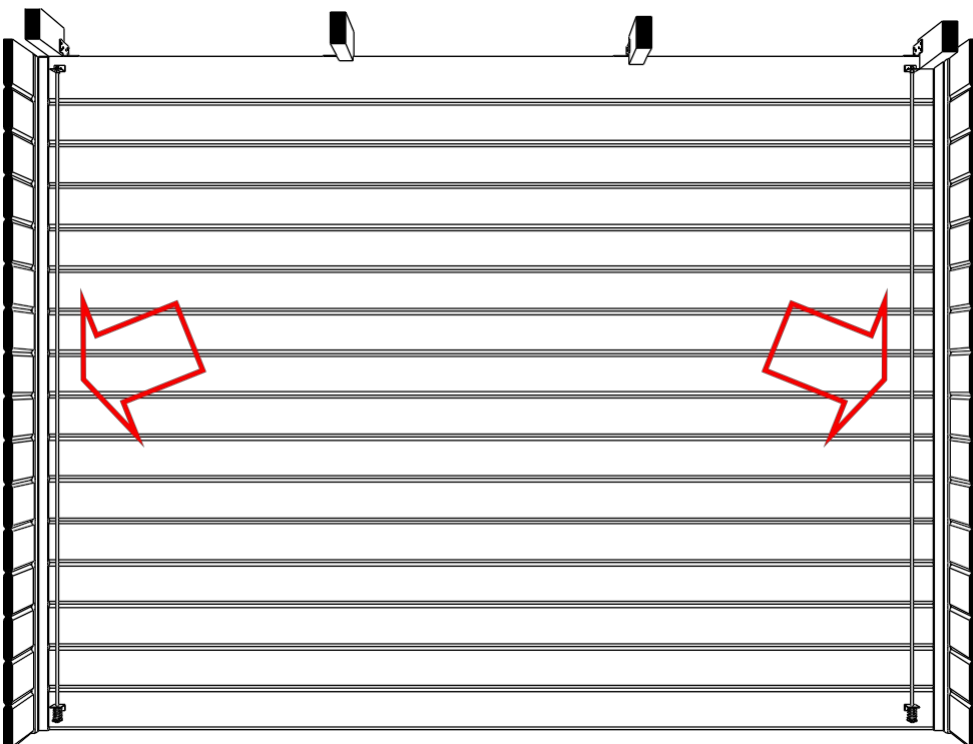
Continue building up to the highest level. Use the L5 planks at the front and rear and the LK/P planks for the sides. The deepest notch is at the rear. **Attention!** On some models, the LK/P planks have half-cut notches; these should face inwards. You will notice an opening above the door. This is perfectly normal and necessary, as the height of the garden shed may vary slightly depending on the air humidity. This opening serves to accommodate this phenomenon and will later be covered with decorative battens.

Place the roof rafters P1 or P2 (see parts list) on the sides. Secure them using the T-brackets supplied.

7.



8.

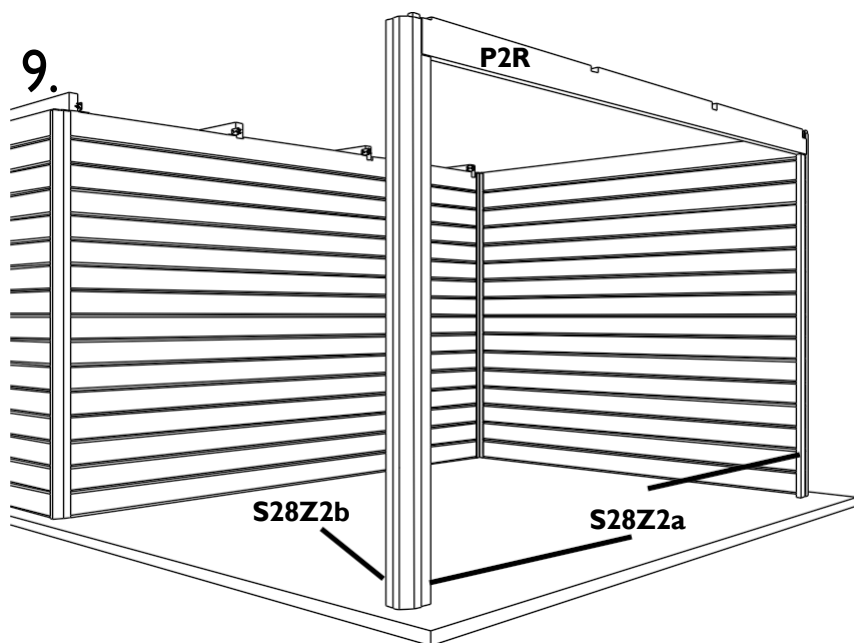


Install a storm brace in each corner of every **side wall**, following the supplied assembly instructions.

The following instructions apply to models **with an extension**. For models **without an extension**, please proceed to step 20 a few pages further on.

Choose from the following options:

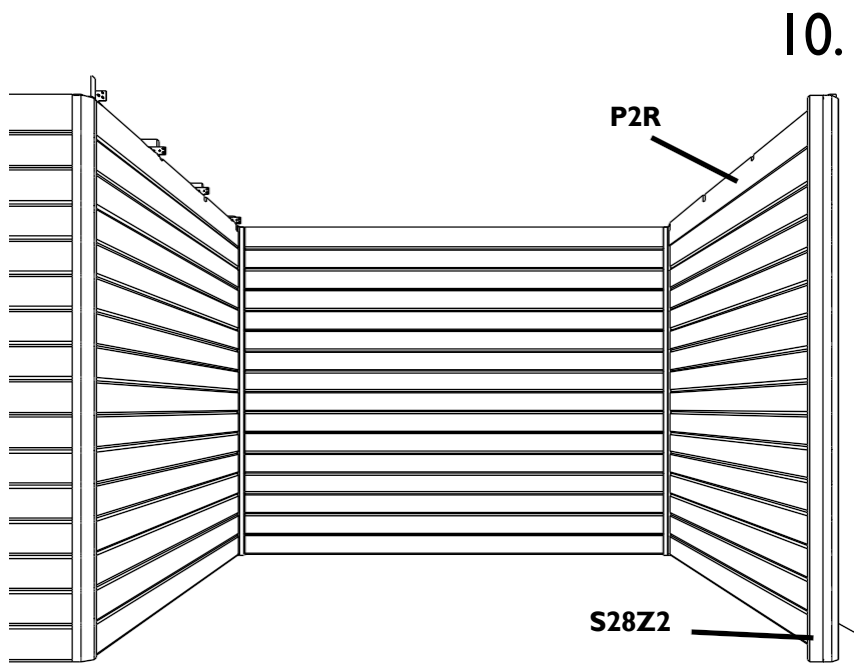
1. You have only purchased a rear wall as an optional extra: go to step 9
2. You purchased both a rear wall and a side wall as optional extras: go to step 10
3. You only purchased a side wall as an option: go to step 11
4. You did not purchase any optional wall: go to step 12



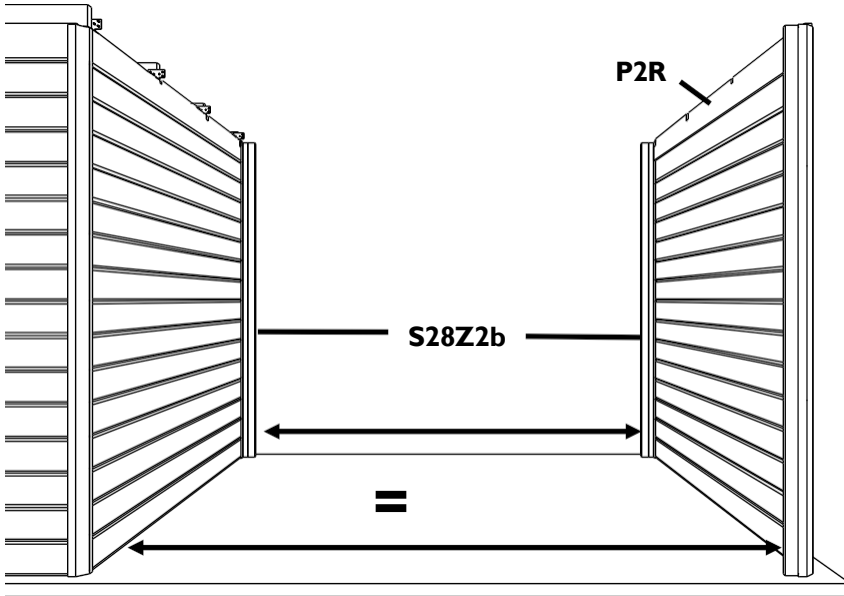
Make sure there are two adults present! Position the planks, as shown in the detailed drawing in the parts list for the rear wall, with one side fitting into the T-profile of the garden shed and the other side into a corner profile. On the side, slide the two shortest battens S28Z2a into the corner profiles and connect the corner profiles to each other using the joist P2R (with the notches facing upwards and the deepest notch at the rear). Place another long batten S28Z2b in the front corner profile. Ensure that the rear wall is aligned with the rear wall of the garden shed, the side wall is parallel to the side of the garden shed, and the walls are level. Continue to step 13.

Make sure there are two adults present! Position the rear wall planks, as shown in the detailed drawing in the rear wall parts list, on one side into the T-profile of the garden shed and on the other side into a corner profile. On the side wall, slide the side wall planks (see side wall parts list) into the corner profiles and, finally, the joist P2R (with the notches facing upwards and the deepest notch at the rear). Place another long batten S28Z2 in the front corner profile.

Ensure that the rear wall is in line with the rear wall of the garden shed, the side wall is parallel to the side of the garden shed, and the walls are level. Continue to step 13.



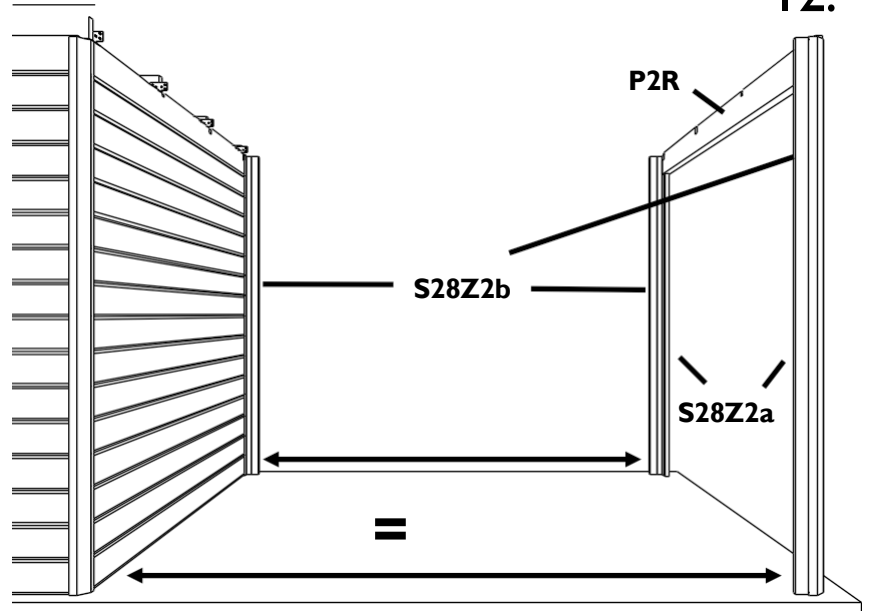
11.



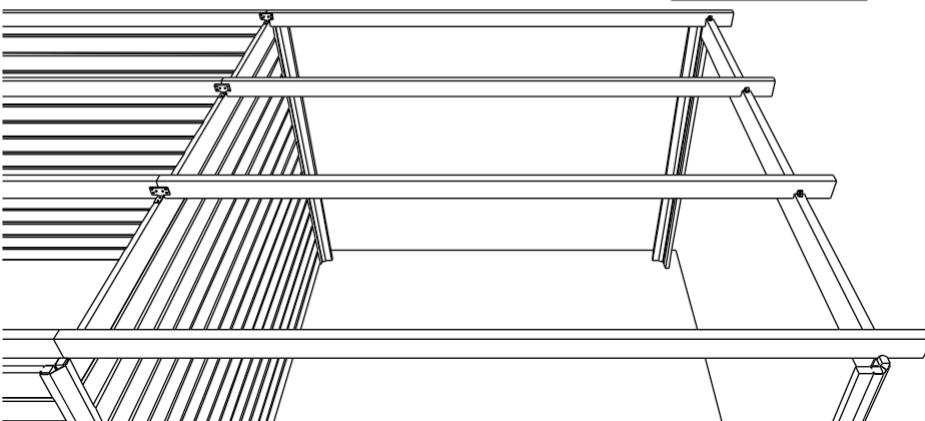
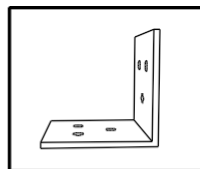
Make sure there are at least 4 adults, do not assemble this in windy weather! Use the ground plans to determine approximately where the side wall should go (minor adjustments can still be made later). Slide the side wall planks (see side wall parts list) into the corner profiles and, finally, the P2R joist (with the notches facing upwards and the deepest notch at the rear). Insert another long batten S28Z2 into the front and rear corner profiles. Ensure that the side wall is parallel to the side of the garden shed and that the wall is level. Also slide another long batten S28Z2 into the T-profile of the garden shed. Continue to step 13.

Make sure there are two adults present! Use the ground plans to work out approximately where the side panel should go (minor adjustments can still be made later). Slide the two shortest battens (S28Z2a) into the corner profiles and connect them Together usingt the joist P2R (with the notches facing upwards and the deepest notch at the rear). Insert another long batten S28Z2b into the front and rear corner profiles. Ensure that the side is parallel to the side of the garden shed and that the wall is level. Also slide another long batten S28Z2b into the T-profile of the garden shed. Continue to step 13.

12.



13.

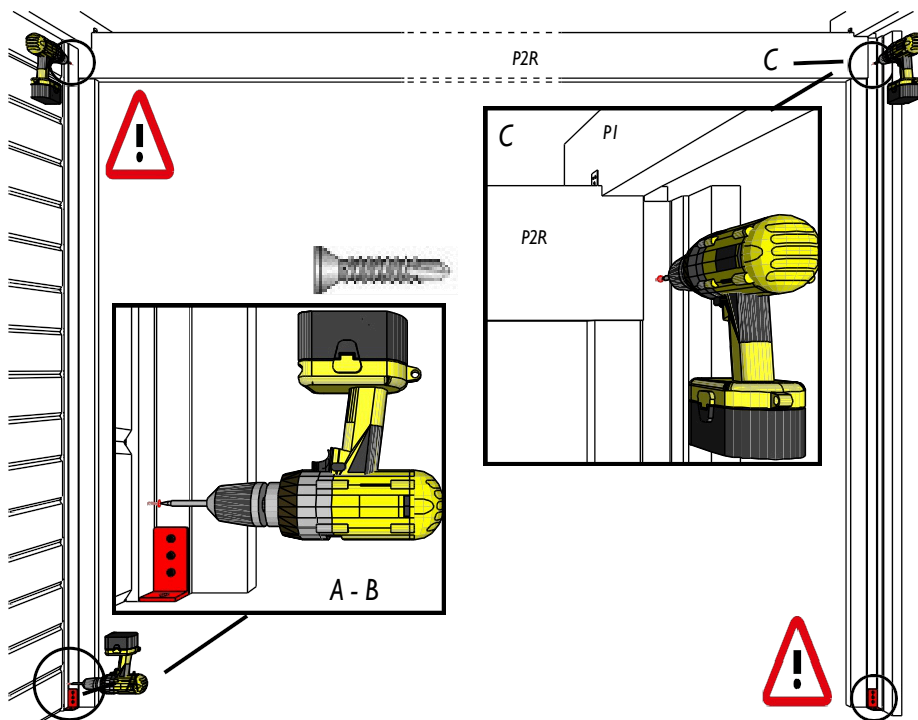


Position the P1 roof rafters of the extension against the beams of the garden shed. Check the diagrams in the parts list to see how far the beams extend beyond the P2R; reposition the side wall if necessary. Attach to the P2R using the supplied angle brackets.

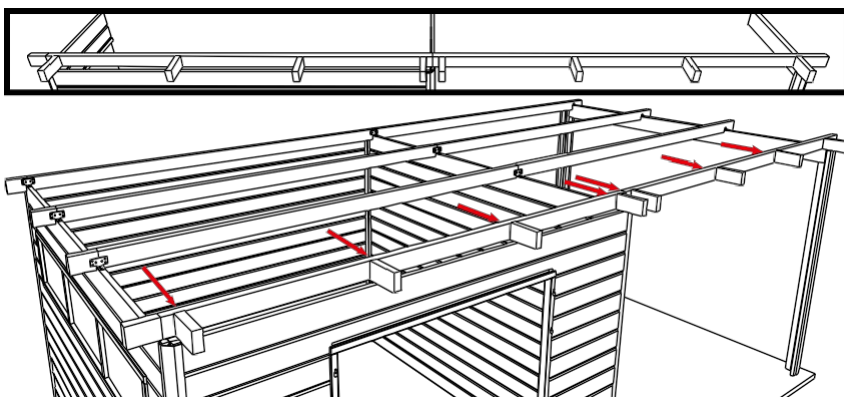
Securing the extension

- A. Secure the ALU profiles to the ground using an angle bracket (see also step 2).
- B. Secure the bottom plank of the rear wall or the S28Z2 battens to the ALU profile (L and T) using self-drilling screws.
- C. Secure the joist P2R to each ALU profile using a self-drilling screw.

Attention! These steps are very important; in addition to securing the angle brackets to the ground, they ensure that the roof cannot be blown away in strong winds.



15.

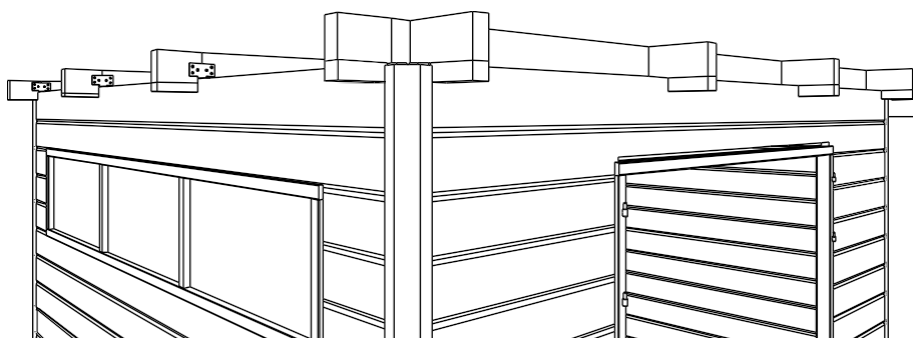


Fit the auxiliary roof beams PI. Secure the long one at the front with 2 screws each of 70 mm through the main roof beam into the end grain of the auxiliary roof beam. For the garden shed: place I against the aluminium profiles. For the extension: place I 50 mm away from the aluminium profiles. Distribute the rest symmetrically. The short ones go on the side against the roof beams.

16.



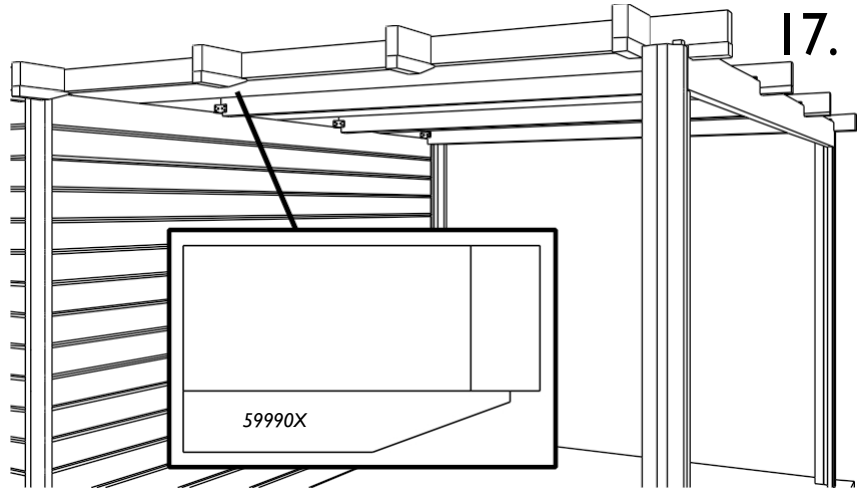
Now attach the S/0XX/044 battens to the underside of the auxiliary roof beams. On the sides, use the 13 mm thick ones on the second beam from the rear, then the 26 mm ones, and at the front, the 40 mm ones. At the front, use the 40 mm ones as well. See also the diagram in the parts list for the correct lengths.



17.

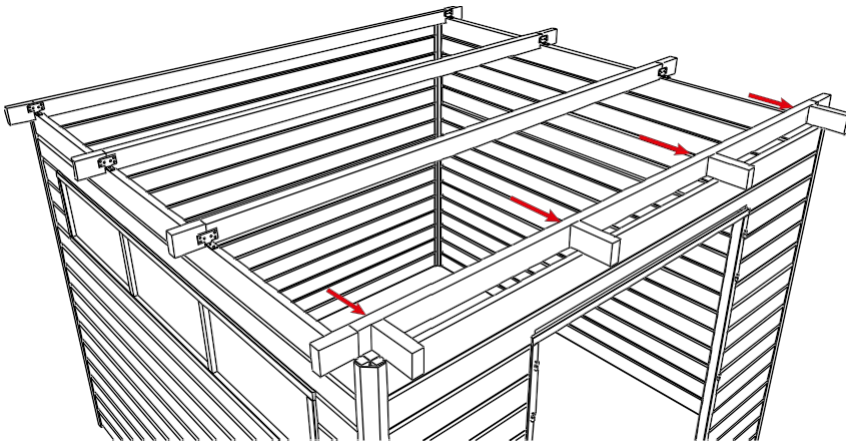
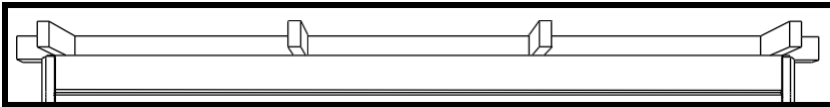


Repeat step 16 on the side of the extension. At the front, place the 59990X battens. The bevelled side should face rearwards.



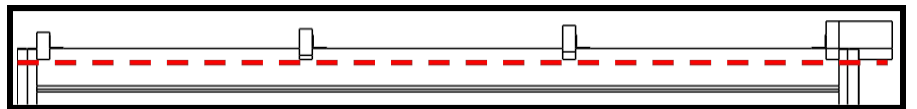
The following instructions apply to all models **without an extension.**

18.

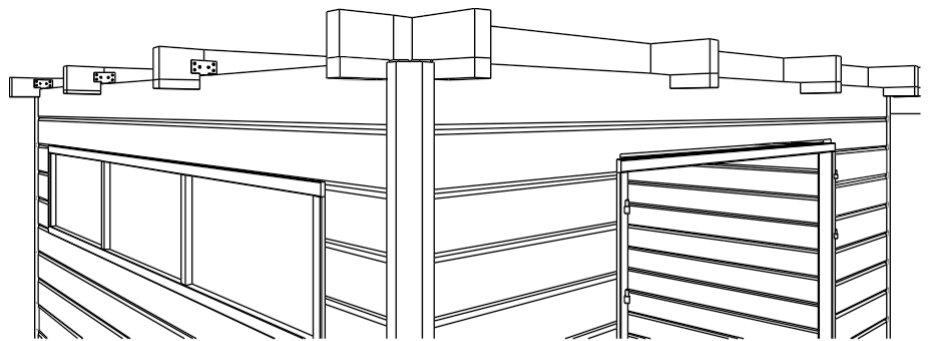


Fit the auxiliary roof beams P1. Secure the long ones at the front, each with 2 screws of 70 mm through the main roof beam into the end grain of the auxiliary roof beam. One against each aluminium profile. Distribute the rest symmetrically. The short ones go on the side against the roof beams.

19.

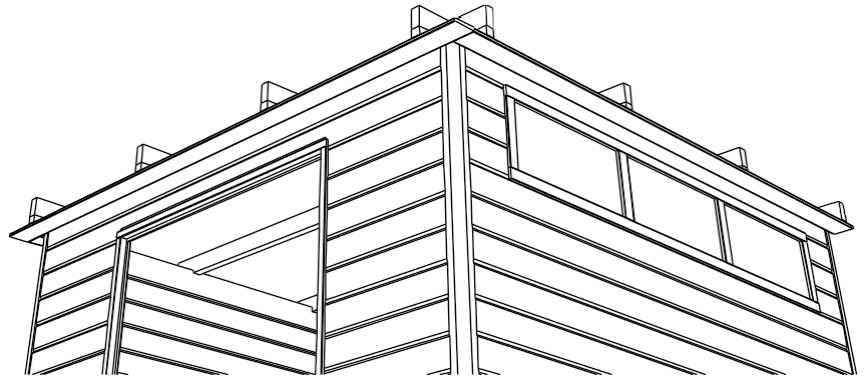


Now attach the S/0XX/044 battens to the underside of the auxiliary roof beams. On the sides, use the 13mm-thick ones on the second beam from the rear, then the 26mm ones, and at the front, the 40mm ones. At the front, also use the 40mm ones. See also the diagram in the parts list for the correct lengths.

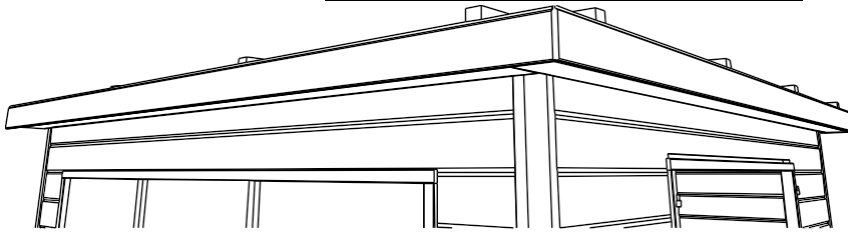
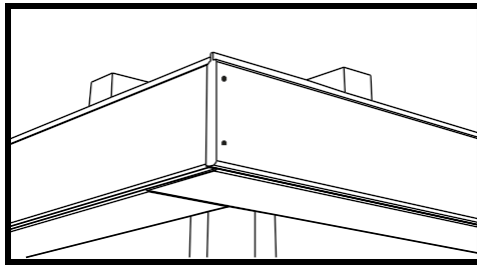


20.

Continue with the underside finishing. Fit the FSL/OSL overhang battens. Start with the front overhang; on some models, this batten consists of several pieces. Secure it with two screws per auxiliary beam. Next, install the two side overhangs in the same way. On some models, the FSL/OSL battens will need to be cut to length.



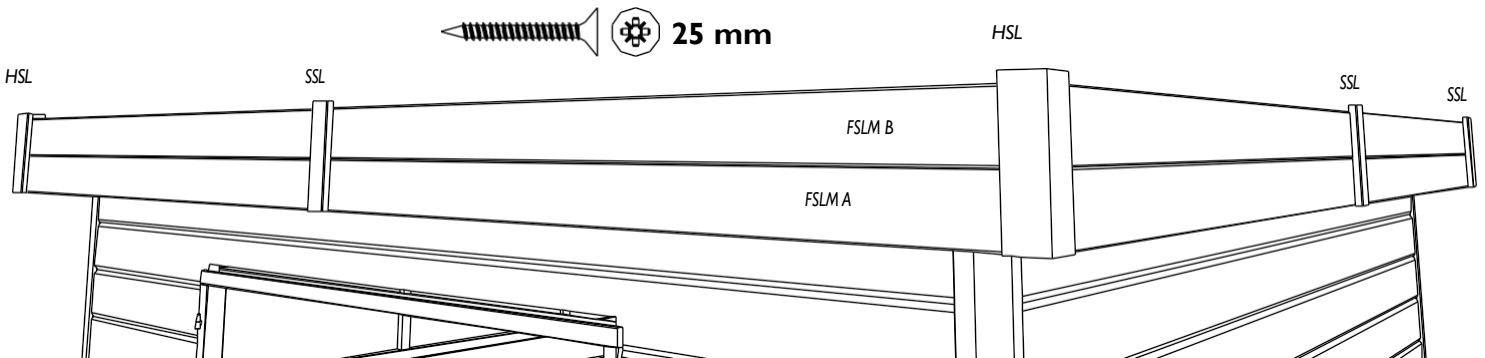
21.



Install the front decorative battens FSLM A (with tongue), with the bottom edge flush with the bottom edge of the OSL. Allow the sides to meet behind the front side. The front decorative batten may consist of several lengths. Secure it to the roof beams with 2 screws of 50 mm per beam. No similar decorative Batten is provided at the rear, to avoid potential moisture-related issues. Fasten the side and front decorative battens to each other with 2 screws of 35 mm.

22.

Fit the front decorative battens FSLM B (with groove) onto the FSLM A. Connect the two battens using the HSL/230 at the front corners and the SSL/230 at the rear ends. Also fit an SSL/230 in the middle of each length. The bottom edge of these battens should be flush with the bottom edge of the FSLM A battens. Use two 25 mm screws per batten.



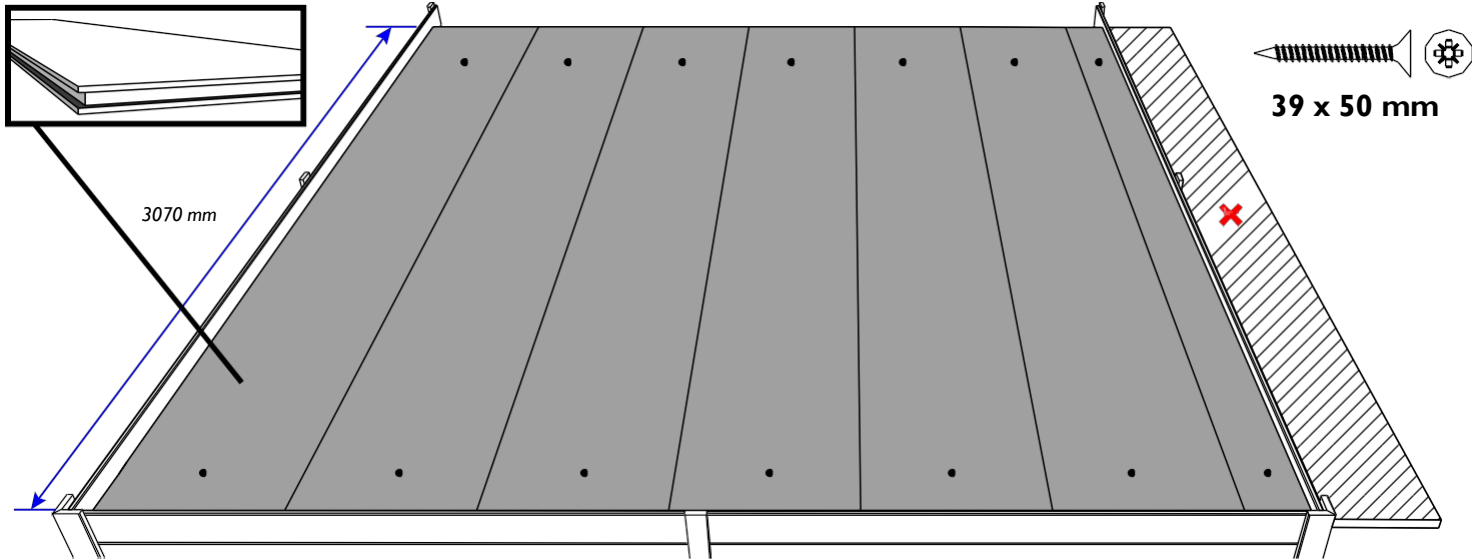
* Insulated version

Installation of the insulation:

To make it easier to position the screws later, it is best to mark where the roof beams are located. Start at the front left corner with a full sheet, positioning it so that the **grooves** align with the FSLM trim battens. Leave a 25mm expansion **gap** along the side of your roof. Secure with 50mm screws into a roof beam. Later, you will secure the steel roof sheets to the beams with screws through the insulation; the 50mm screws are only intended to hold everything in place temporarily.

Garden sheds with a wall depth of 2950 mm (ref 5101(EXT), 5102(EXT), 5104(EXT))

Place all the sheets side by side; depending on the model, you may need to cut the last sheet to size. Leave a 25 mm gap at the sides

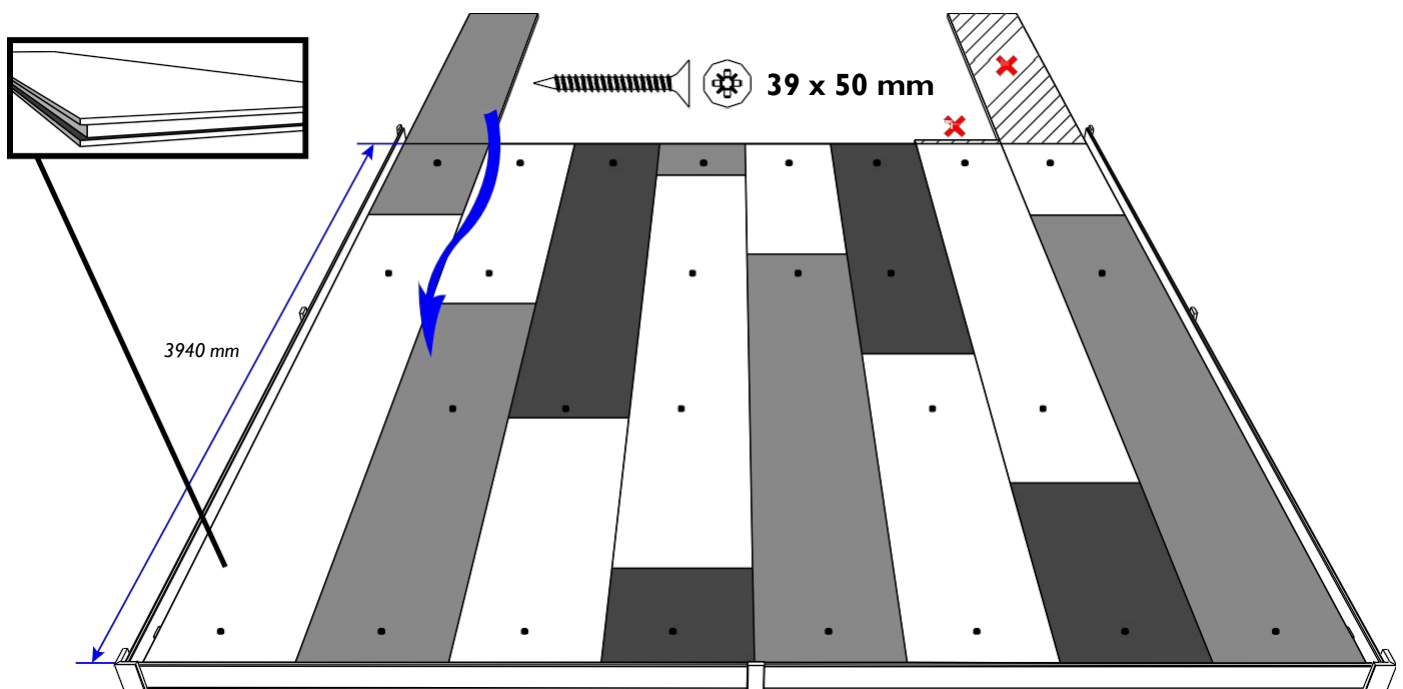


Garden sheds with a wall depth of 3850 mm (ref 5103(EXT), 5105(EXT))

After installing the first full sheet, cut 870 mm from a new sheet on the side with the groove.

Place this behind the first sheet. Secure both sheets with 50 mm screws.

Start the second row with the remaining piece, and continue in this way following the diagram below. After 7 rows, start a new full sheet.



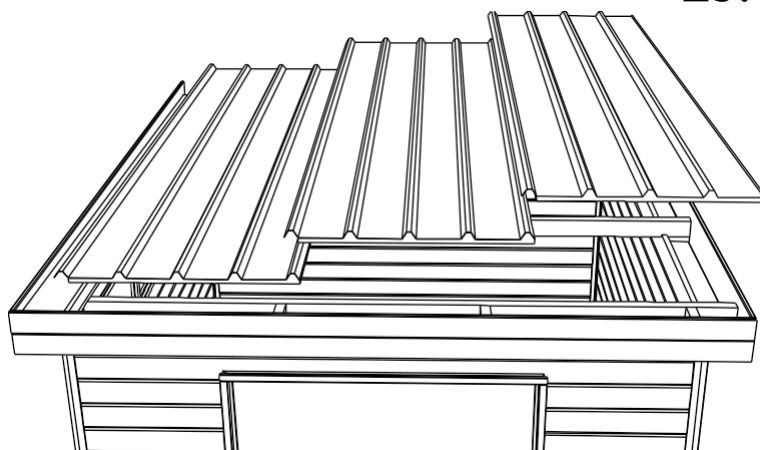
23.

Now fit the roof sheets.

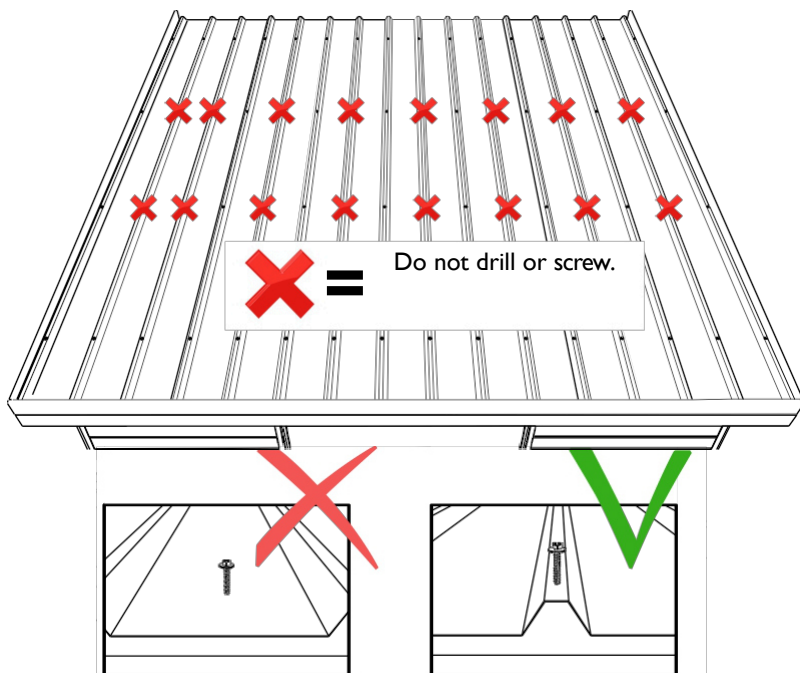
ATTENTION! Depending on the model purchased, the installation may differ from the illustration shown; please refer to the parts list for a detailed overview. Mark the position of the roof beams and walls on the first and last sheets, on the outside, with a pencil line.

Wait to secure them until all sheets have been installed.

ATTENTION! Make sure that the outer corrugation, without the anti-condensation fabric, overlaps the previous sheet.



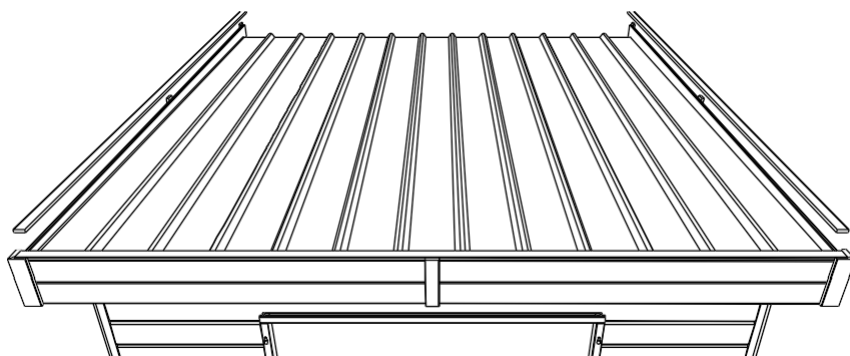
24.



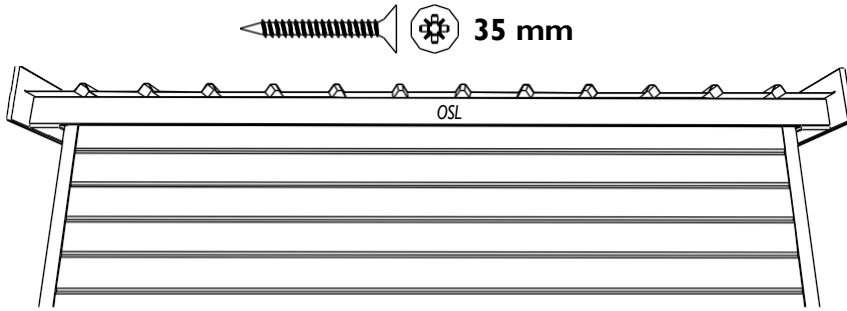
Check that the sheets are neatly aligned. Mark the centre of the roof beams and walls on the top of the sheets; to do this, connect the pencil marks using a long batten or string. Drill through the steel of the roof sheet using a 5mm drill bit, and remove all iron filings. **Attention!** Always drill through a corrugation and never through the flat part of the sheet. Drill into every corrugation on the front and rear walls. On the roof beams, drill where the sheets overlap, once in the centre of the sheet and once at the outer edge. Now screw the sheets in place, using the screws with caps. Seal the joints between the sheets and the decorative battens all round with silicone (not supplied).

25.

Now attach the SSL45 storm trim battens to the FSLM B front trim battens. Start with the front batten – which, on some models, consists of several lengths – and then install the battens on the sides. These battens still need to be cut to length.



26.



Place an FSL batten beneath the sheets and above the bottom trim FSL/OSL, for models with extension, this consists of two pieces installed against the rear wall. Place four spacers (six for models with an extension) from the bag of fittings between the FSL batten and the wall. This batten acts as a drip edge to prevent moisture from running back. Secure it to the rear wall with 4 screws of 35 mm and nail it through the decorative overhang battens. We recommend sealing the joint between this plank and the roof sheets with silicone (not supplied).

Please note!

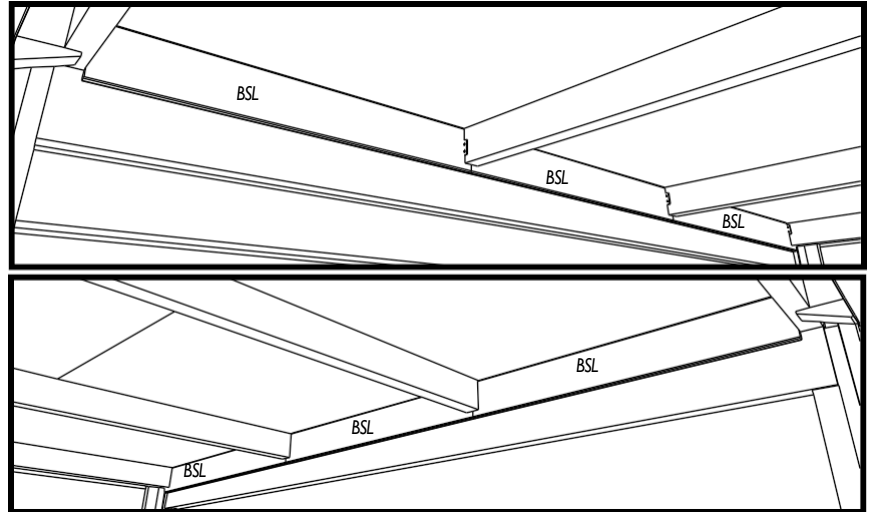
Thoroughly impregnate the lower part of the anti-condensation fabric, which protrudes **at the rear**, with a clear varnish. This is to prevent the anti-condensation fabric from absorbing **water** and to prevent **moss growth**.

The following instructions apply to models **with an extension**. For models **without an extension**, proceed to step 29.

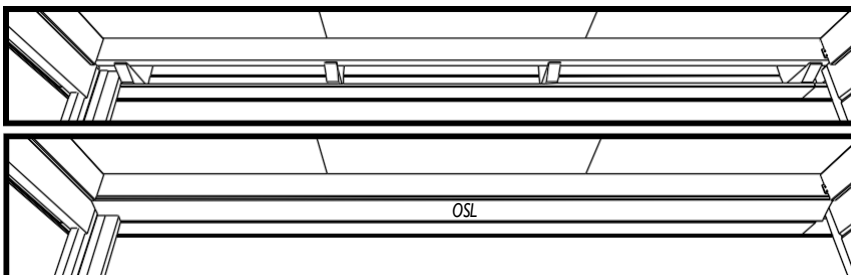
27.



Position on the inside of the extension against the 2 sides between the beams, the BSL slats (in 3 pieces)

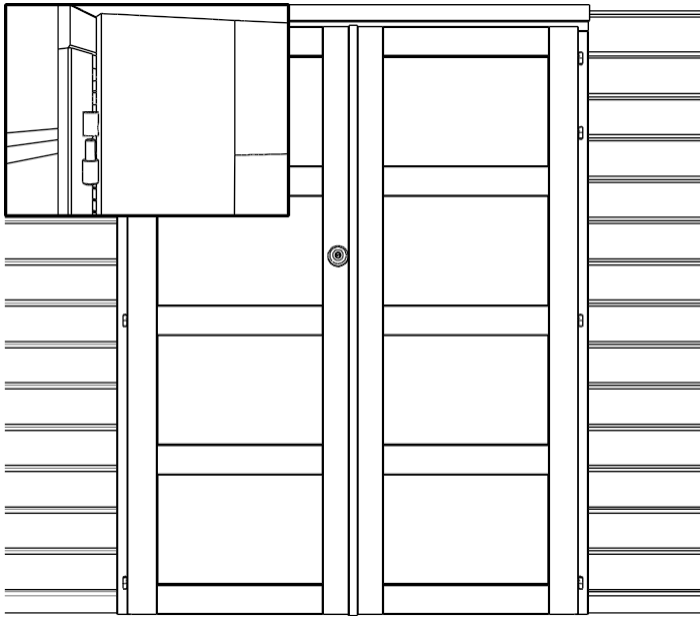


28.

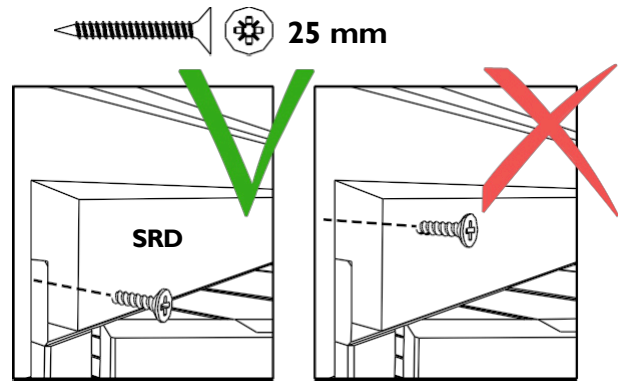
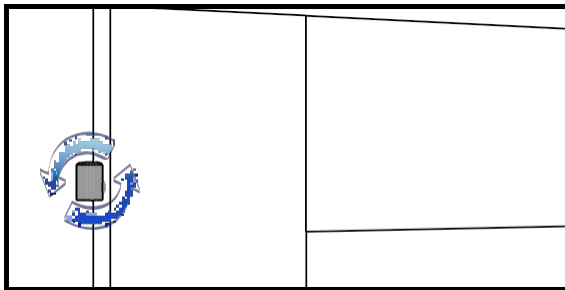


At the front of the extension, install an OSL batten against the sloped side of the 59990X battens.

29.

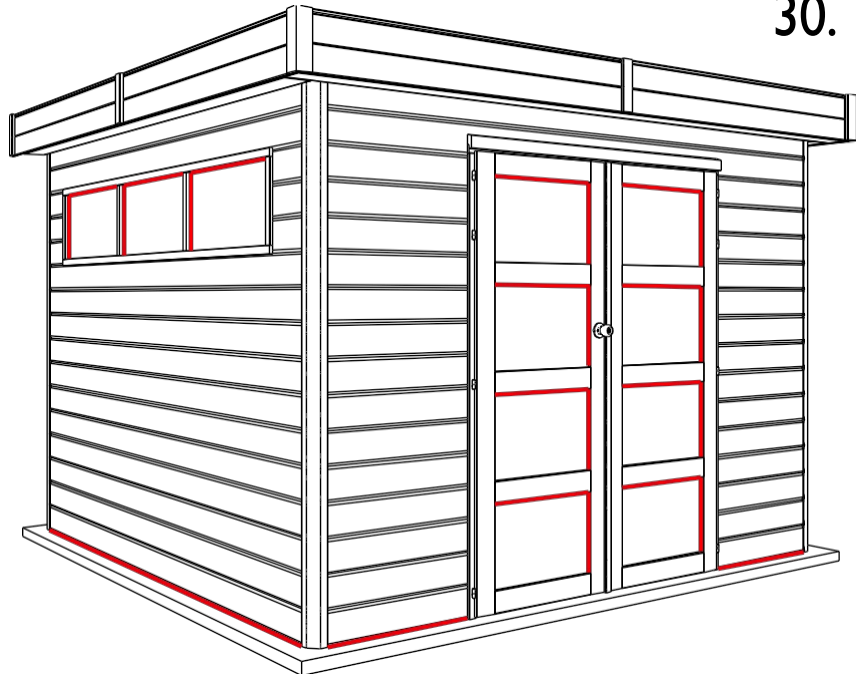


Now fit the doors using the hinges supplied. Screw the hinge knuckle (female part of the hinges) into the door and hang the door. By turning the hinges in or out, you can adjust the position of the door leaves until they hang straight. Please refer to the lock manual for instructions on installing the handle. Fit the side-mounted guide strips to the leaf without the lock. Fasten the latch to the outside of the door with the handle using five 25 mm screws. Fit the SRD cover batten on top of the door frame, both inside and outside. This serves to conceal the gap at the top that may appear as the wood moves (see 'wood lives'). Secure it **to the door frame** using 25 mm screws.

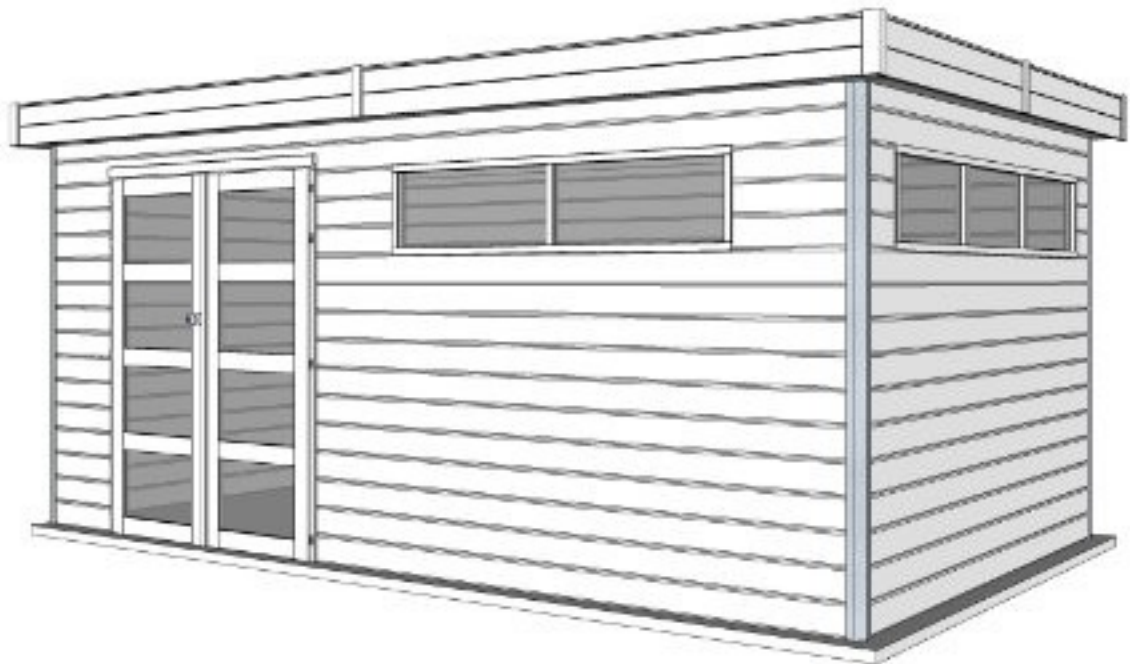
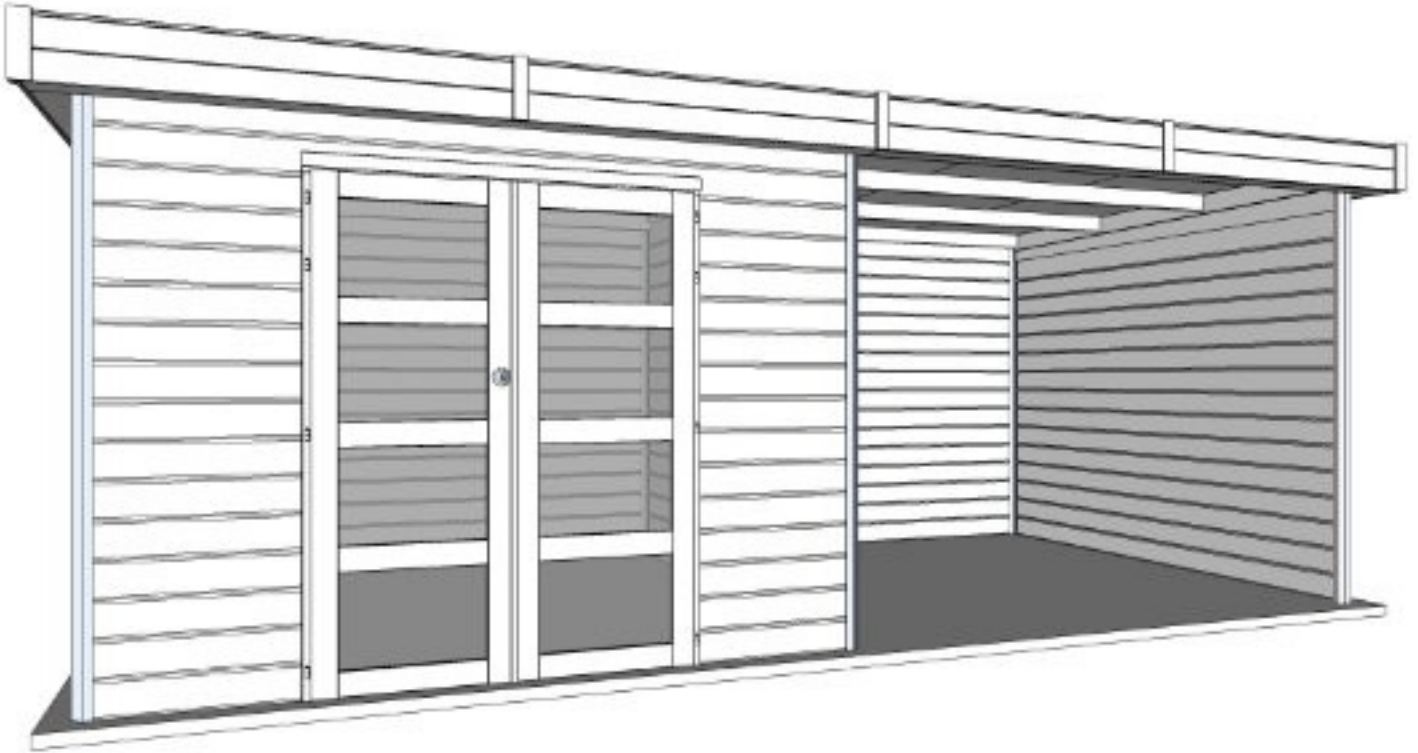


30.

Seal the joint between the garden shed and its base on the outside and around the windows using silicone (not included).



If you have purchased a floor as an optional extra, please refer to the assembly instructions provided.
Maintenance: water, wind, snow and sun are the main enemies of your garden shed. Protection against insects is also no luxury in our region. Seek advice from a specialist if you have any questions about products, timing, etc. for treatment.



- Product liability applies only if the garden shed has been assembled in full compliance with these assembly instructions.
- The customer is responsible for ensuring adequate anchoring to the ground (protection against stormy weather).

WARRANTY

The product is made of wood, a natural product that, due to its outdoor placement, will continue to "live" and therefore requires ongoing attention. Assembly, treatment and anchoring will be carried out by or on behalf of the customer. Gardenas is therefore responsible for and provides a warranty on the product and its components themselves, but not for the consequences of incorrect assembly, missing or inadequate anchoring, or incorrect or inadequate maintenance.

How long?

Unless otherwise stated, Gardenas offers a 5-year warranty on its products. Fittings and roofing are covered by a 2-year warranty. Products sold as pressure-impregnated are covered by an extended 10-year warranty against rot, mould and insect damage to the wooden parts.

The warranty period starts from the date of purchase.

What is covered by the warranty?

- The structural design of the product for safe and normal use.
- The correctness of the parts in terms of quantity and shape upon delivery. Any deviations must be reported no later than 14 days after delivery.
- The warranty is limited to the replacement of defective, damaged or unusable parts.

What is not covered by the warranty?

- Costs of (re)installation, production, assembly, treatment.
- Parts that are no longer in their original condition.
- Defective parts that were installed anyway.
- Minor deviations from the natural material, whether or not specified in the manual, which do not compromise the stability and expected lifespan of the product (e.g. knots, cracks, discolouration, slight deformations that can be assembled and will have no impact after assembly or will be invisible after assembly, etc.).
- Damage, deformations or defects resulting from ignoring to strictly follow the advice and instructions in the product manual and/or incorrect or careless use of the product, as well as damage caused by poor foundations.
- Damage and degradation and their consequences due to inadequate treatment of the product.
- Damage caused during transport and storage, whether or not due to extreme humidity, if transport and storage were not carried out under Gardenas' management.
- Damage caused by third parties, animals, insects (except if the product was delivered pressure-impregnated) and termites.
- Natural ageing or discolouration of the product.
- Damage caused by a roof load (e.g. snow) of more than 50 kg/m².
- Direct or indirect damage to items and materials stored in or under the product.
- Consequences of force majeure: storms, natural disasters, floods, vandalism, etc.

Parts availability and delivery

Gardenas guarantees the availability of all parts or a valid alternative for each part for up to 5 years after purchase of the product, regardless of whether the part is still under warranty or not.

Gardenas will make every effort to provide any replacement parts as quickly as reasonably possible. Gardenas will deliver the parts in the same manner and to the same location as it delivered the original product.